

Catalog sheet

Door hinge of three parts 15x150 PH BZ TR 80 L

Usage:

Door hinge of three parts is for woden rebated doors. Hinge is adjustable in three 2 directions.

The hinge is appropriate for fire protection testing.

Warning: The fire-protection hinges have to be tested within the entire set, i.e., together with the door and the frame!

Basic info:

Catalogue number: 5547

Properties:

Load: 40.00

Fire resistance: yes (appropriate for fire protection testing)

Main material: steel

Type of hinge: Complete hinge

Door : Interior

Orientation of door (window): For left door (frame)

According to door execution: Rebate

According to material of door leaf: Wood

According to doorframe: Solid wood

Gripping upper part: Screw in

Gripping middle part: Wood screw

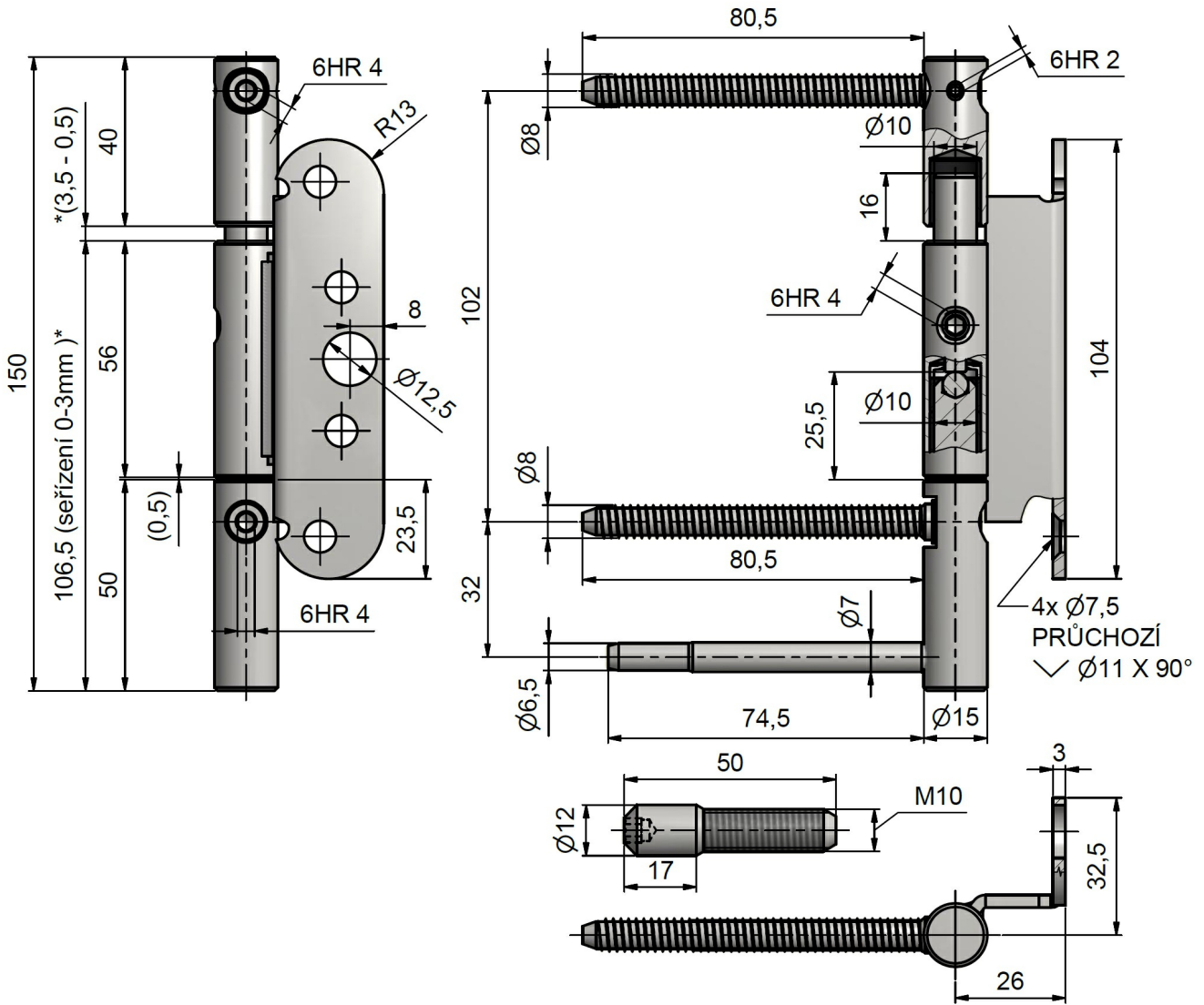
Gripping lower part: Screw in

Diameter of bolt rivet(s): Special screw-thread into wood \varnothing 8


Bolt(s) length: 80,5 mm

We recommend used: Screws of \varnothing 5 mm minimum length 50 mm

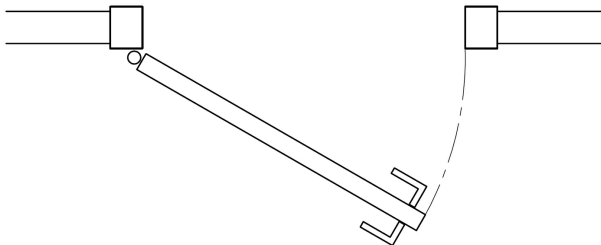
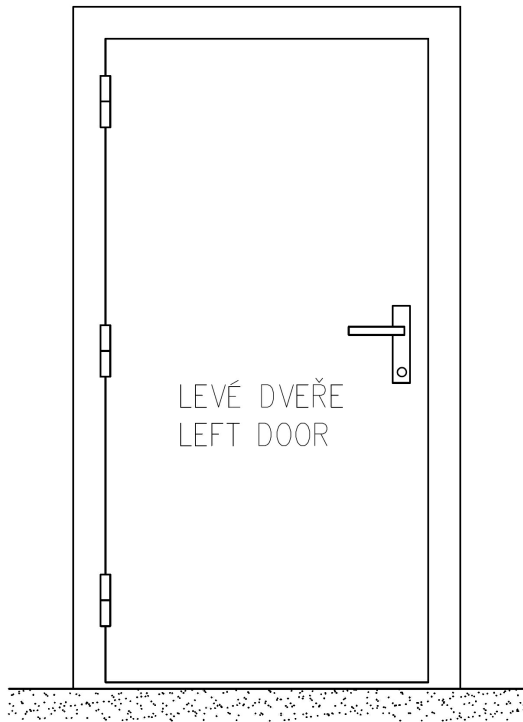
Drawing:



Available variants:

	Code	Type	Package
	55478700	Nickel shiny	20 pcs

Left door:



The owner of this website processes the cookies required for the functionality of the website, analytical purposes and marketing. More information ✕