



TKZ Polná, spol. s r.o., Zahradní 572, 588 13 POLNÁ, CZ  
ID: 49973819, TID: CZ49973819, e-mail: export@tkz.cz  
tel:+420 567 155 271(273), mobile: +420 725 251 002  
www.tkz.cz



## Catalog sheet

# Door hinge TRIO 15 VD OZ PH M8x80-32

### Usage:

Usage: Upper part for wooden and steel door. Complete hinge (with SD TRIO) is adjustable in three directions.

The hinge is appropriate for fire protection testing. Warning: The fire-protection hinges have to be tested within the entire set, i.e., together with the door and the frame!

There is a possibility to use ABS and metal caps on hinge.

### Basic info:

Catalogue number: 5428

### Properties:

**Load:** 40.00

**Fire resistance:** yes (appropriate for fire protection testing)

**Main material:** steel

**Type of hinge:** Upper part

**Door :** Interior

**Orientation of door (window):** For right and left door (frame)

**According to door execution:** Rebate

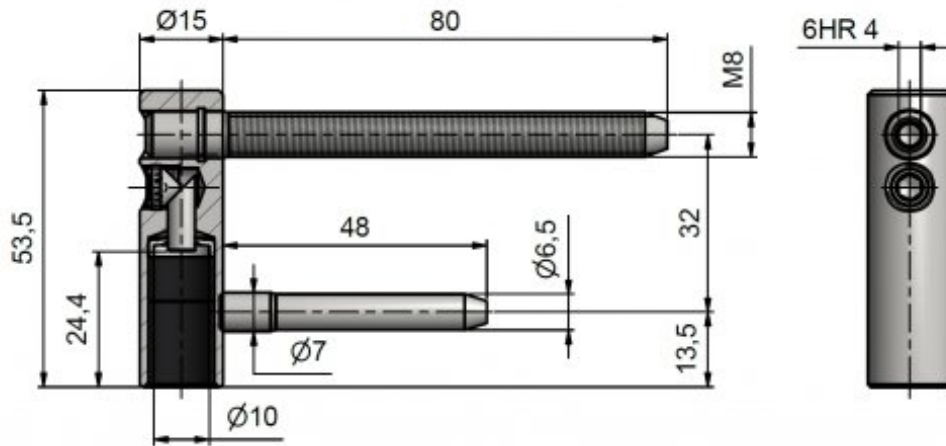
**According to material of door leaf:** Wood, Metal

**Gripping upper part:** Screw on





**Diameter of bolt rivet(s):** M8

**Bolt(s) length:** 80 mm

Drawing:



Available variants:

	Code	Type	Package
	54280510	Yellow zinc	50 pcs
	54280530	Blue zinc	50 pcs
	54282700	Nickel shiny	50 pcs
	54282D00	Nickel satin	50 pcs

The owner of this website processes the cookies required for the functionality of the website, analytical purposes and marketing. More information [×](#)