



TKZ Polná, spol. s r.o., Zahradní 572, 588 13 POLNÁ, CZ
ID: 49973819, **TID:** CZ49973819, **e-mail:** export@tkz.cz
tel:+420 567 155 271(273), **fax:**+420 567 155 220
www.tkz.cz



Catalog sheet

Door hinge TRIO 15 VD SH M8 PH stainless steel

Usage:

Upper part of hinge TRIO - with lower part TRIO 15 SH SD are adjustable in three directions. Stainless steel!

There is a possibility to use decorative caps on hinges.

Basic info:

Catalogue number: 5508

Properties:

Load: 40.00

Fire resistance: no

Main material: nerez

Type of hinge: Upper part

Door : Interior, Object

Orientation of door (window): For right and left door (frame)

According to door execution: Rebate

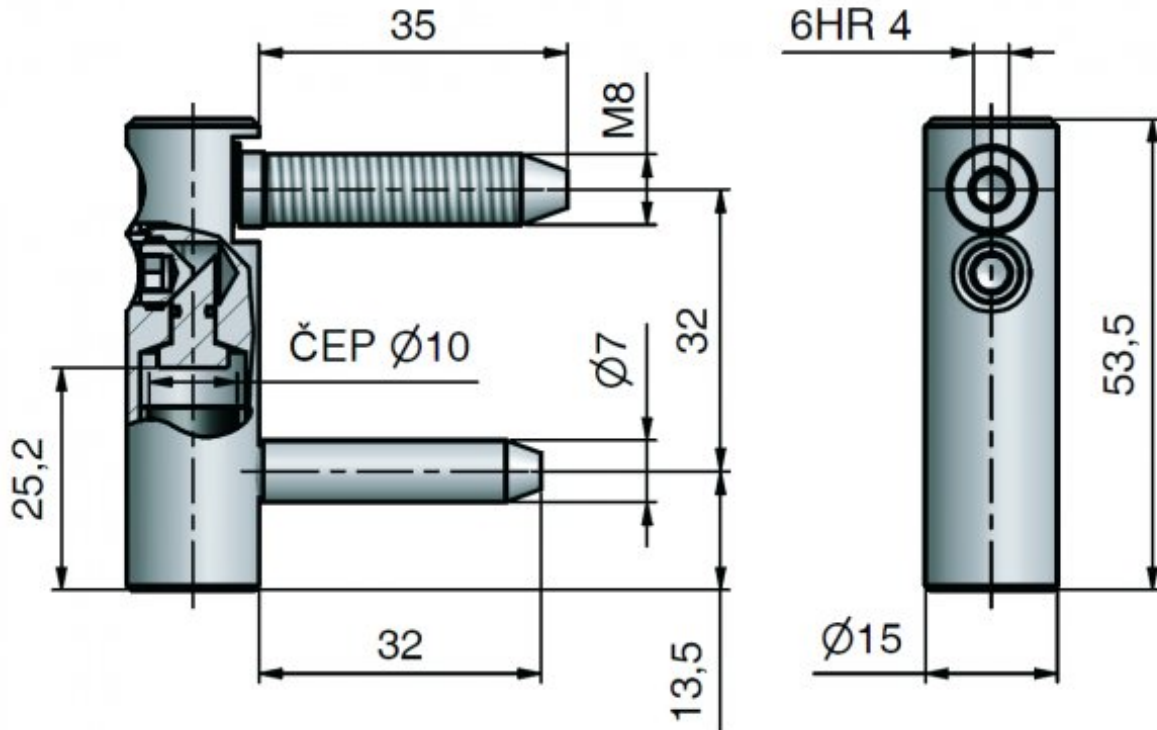
According to material of door leaf: Wood, Metal

Gripping upper part: Screw in

Diameter of bolt rivet(s): M8

Bolt(s) length: 35 mm

Drawing:






TKZ Polná, spol. s r.o., Zahradní 572, 588 13 POLNÁ, CZ
ID: 49973819, **TID:** CZ49973819, **e-mail:** export@tkz.cz
tel:+420 567 155 271(273), **fax:**+420 567 155 220
www.tkz.cz



Available variants:

	Code	Type	Package
	55080000	Brushed	100 pcs

The owner of this website processes the cookies required for the functionality of the website, analytical purposes and marketing. [More information](#) ✕