



TKZ Polná, spol. s r.o., Zahradní 572, 588 13 POLNÁ, CZ
ID: 49973819, TID: CZ49973819, e-mail: export@tkz.cz
tel:+420 567 155 271(273), mobile: +420 725 251 002
www.tkz.cz



Catalog sheet

Door hinge TRIO 20 BP DZ PH L

Usage:

Usage: Complete hinge TRIO adjustable in three directions. Lower part of hinge is screwed on a wooden frame. Upper part is for non-rebated doors and is screwed on a door wing by spin.

The hinge is appropriate for fire protection testing. Warning: The fire-protection hinges have to be tested within the entire set, i.e., together with the door and the frame!

Upper part can be underlaid by pad if necessary.

Basic info:

Catalogue number: 9659

Properties:

Load: 45.00

Fire resistance: yes (appropriate for fire protection testing)

Main material: steel

Type of hinge: Complete hinge

Door : Exterior

Orientation of door (window): For left door (frame)

According to door execution: Non rebated

According to material of door leaf: Wood

According to doorframe: Solid wood

Gripping upper part: Screw on

Gripping lower part: Screw in

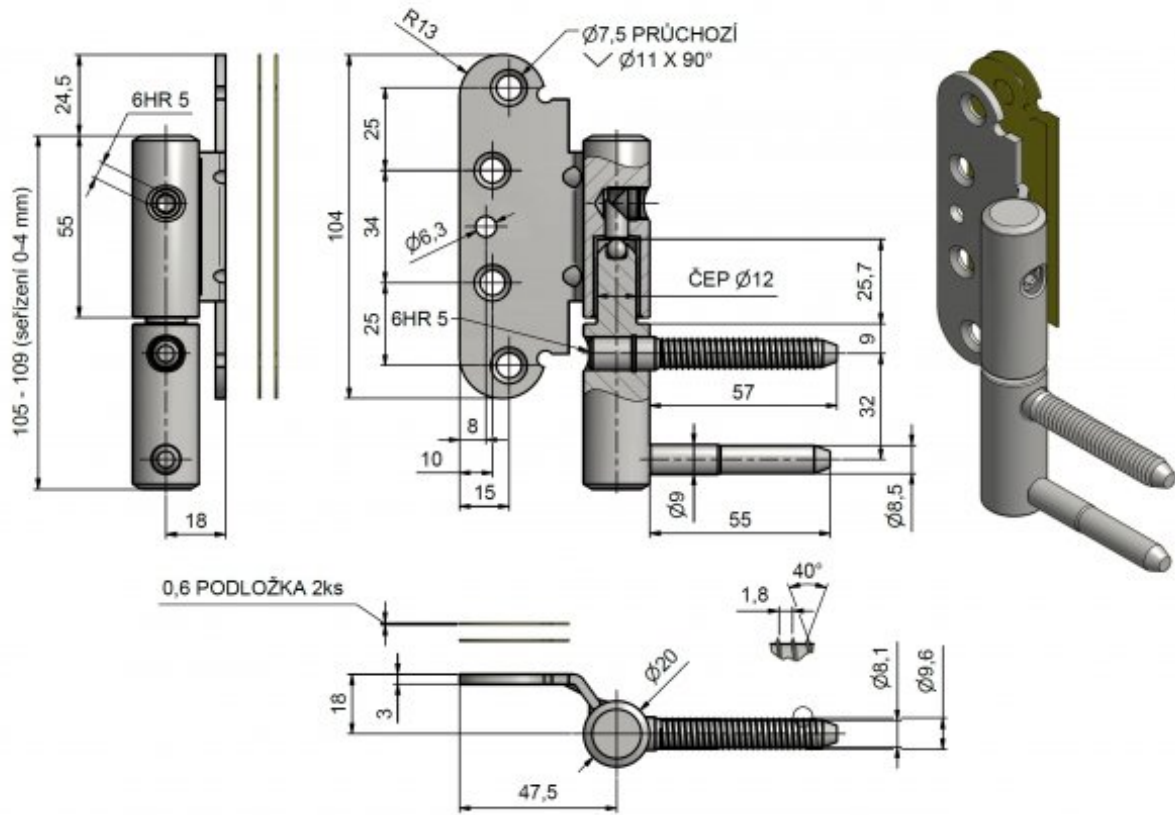
Diameter of bolt rivet(s): Special screw-thread into wood \varnothing 9.6

Bolt(s) length: 57 mm



Plug high: 25,7 mm

We recommend used: Screws of \varnothing 5 mm minimum length 50 mm

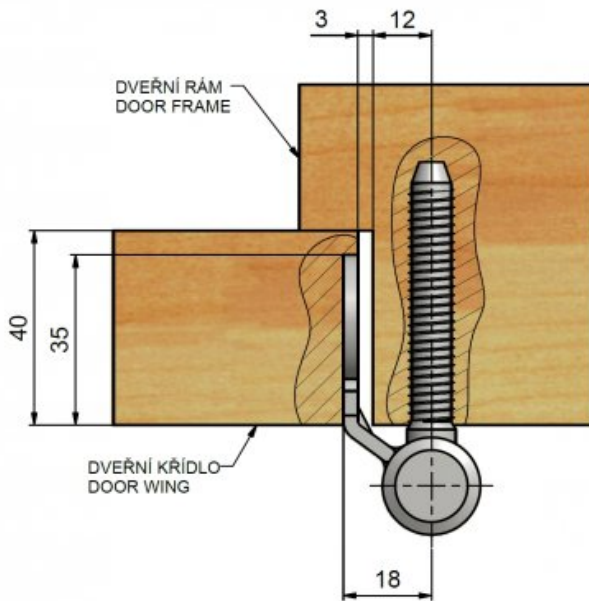
Drawing:



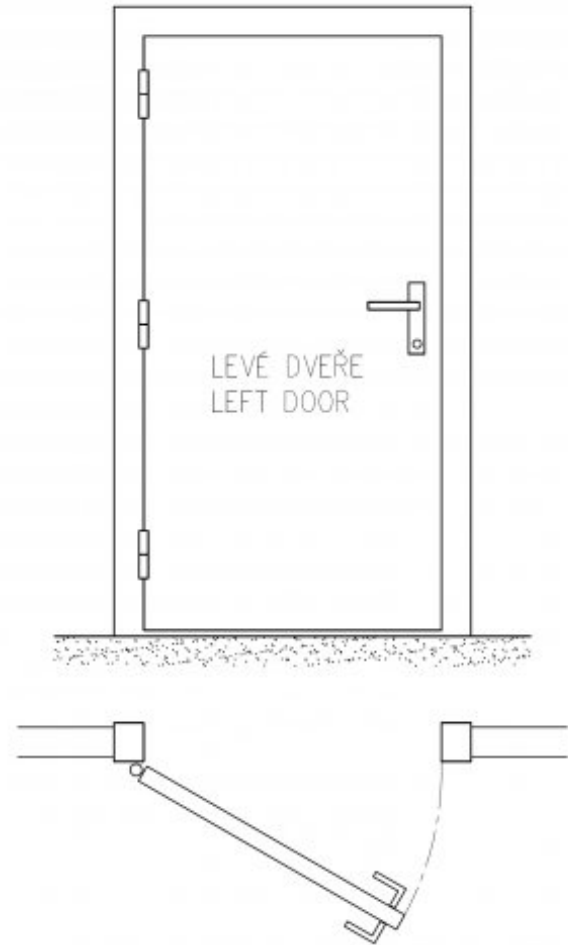
Available variants:

	Code	Type	Package
	96595510	Yellow zinc	10 pcs
	96595530	Blue zinc	10 pcs

right hinge forging:



left door:



The owner of this website processes the cookies required for the functionality of the website, analytical purposes and marketing. More information ✕