



TKZ Polná, spol. s r.o., Zahradní 572, 588 13 POLNÁ, CZ
ID: 49973819, TID: CZ49973819, e-mail: export@tkz.cz
tel:+420 567 155 271(273), mobile: +420 725 251 002
www.tkz.cz



Catalog sheet

Door hinge 15x96 22/M7 BP TUKAN

Usage:

Modern hinge for doors without rebate.

You can regulate „the motion of the hinge“ with 0,6 mm plastic pads. The pads are not a part of the package, you can order them separately – see related products.

Basic info:

Catalogue number: 5568

Properties:

Load: 30.00

Fire resistance: no

Main material: steel

Type of hinge: Complete hinge

Door : Interior

Orientation of door (window): For right and left door (frame)

According to door execution: Non rebated

According to material of door leaf: Wood

According to doorframe: Wooden casing

Gripping upper part: Screw on

Gripping middle part: Into fixing element

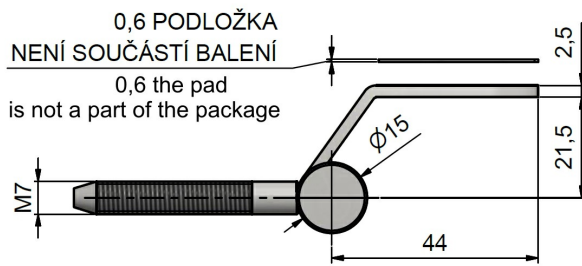
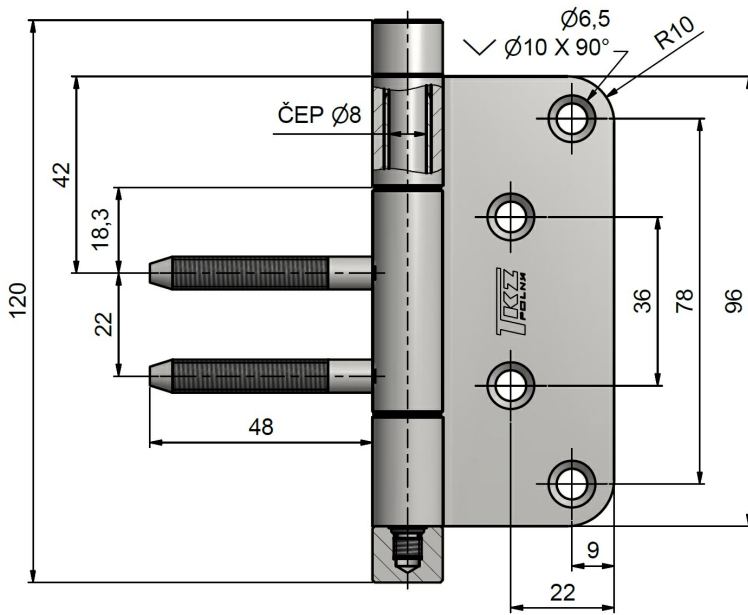
Gripping lower part: Screw on

Diameter of bolt rivet(s): M7



Bolt(s) length: 48 mm

We recommend used: Screws of \varnothing 4 mm minimum length 40 mm

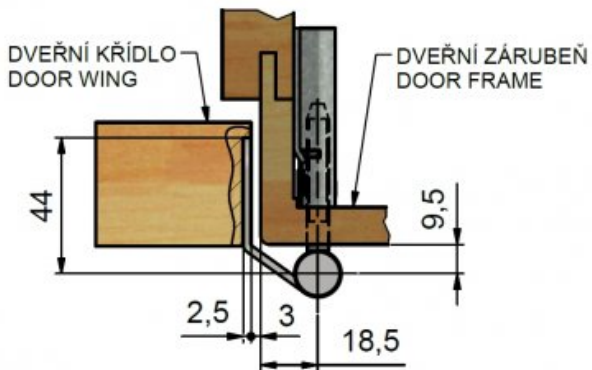
Drawing:



Available variants:

	Code	Type	Package
	55688700	Nickel shiny	50 pcs
	55688D00	Nickel satin	50 pcs

hinge forging:



The owner of this website processes the cookies required for the functionality of the website, analytical purposes and marketing. More information [×](#)