



TKZ Polná, spol. s r.o., Zahradní 572, 588 13 POLNÁ, CZ
ID: 49973819, TID: CZ49973819, e-mail: export@tkz.cz
tel:+420 567 155 271(273), mobile: +420 725 251 002
www.tkz.cz



Catalog sheet

Door hinge 60/10 SD M10x1/50

Usage:

To screw into hinge holder M10x1 cranked, for wooden casing frame.

Basic info:

Catalogue number: 9612

Properties:

Load: 20.00

Fire resistance: no

Main material: Steel

Type of hinge: Lower part

Orientation of door (window): For right and left door (frame)

According to door execution: Rebate

According to doorframe: Wooden casing

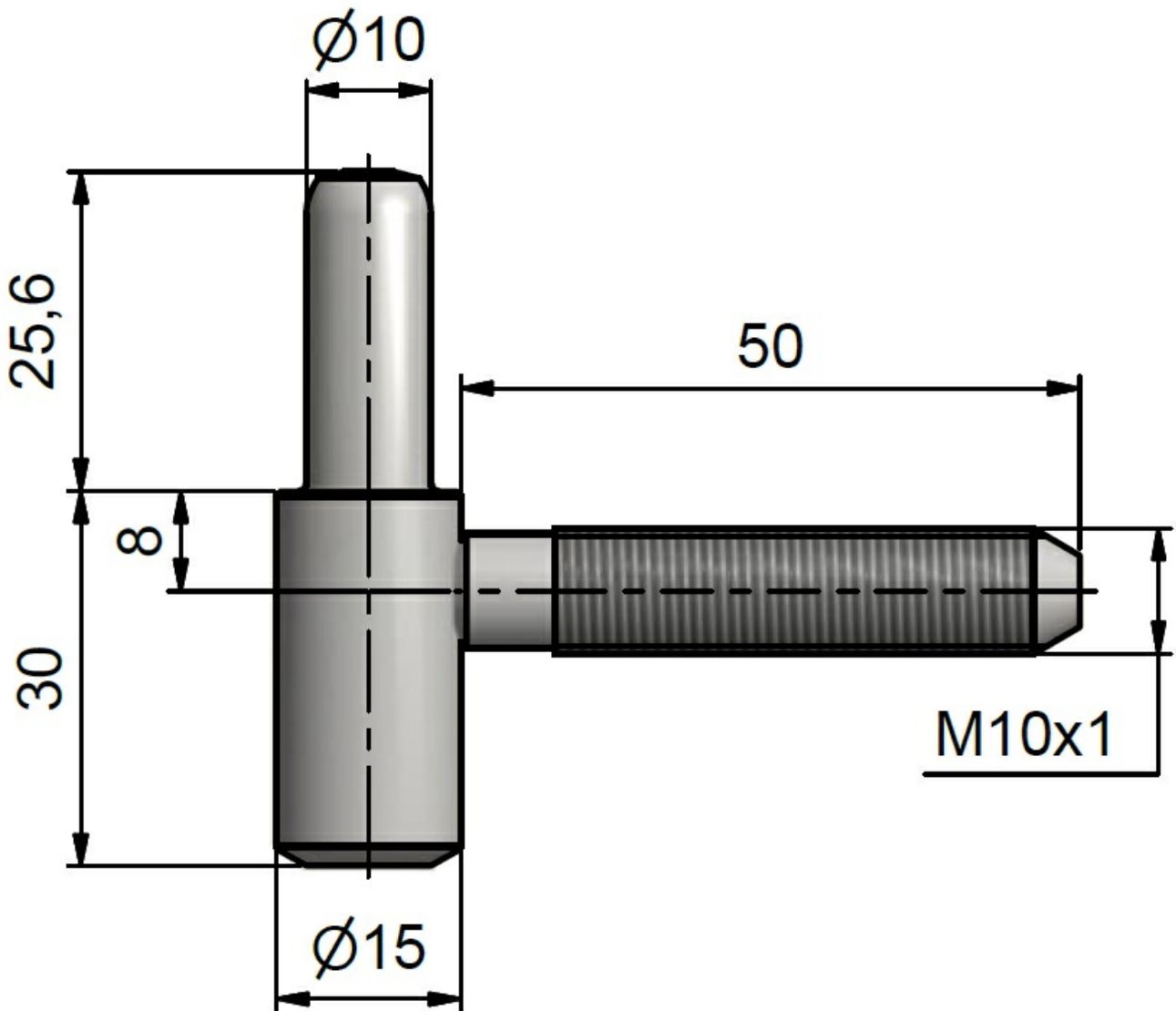
Gripping: Into fixing element

Diameter of bolt rivet(s): M10x1

Bolt(s) length: 50 mm

Plug high: 25,6 mm

Drawing:



Available variants:

	Code	Type	Package
	96120510	Yellow zinc	50 pcs
	96120530	Blue zinc	50 pcs
	96128700	Nickel shiny	50 pcs
	96128D00	Nickel satin	50 pcs

The owner of this website processes the cookies required for the functionality of the website, analytical purposes and marketing. More information [×](#)