



TKZ Polná, spol. s r.o., Zahradní 572, 588 13 POLNÁ, CZ
ID: 49973819, **TID:** CZ49973819, **e-mail:** export@tkz.cz
tel:+420 567 155 271(273), **fax:**+420 567 155 220
www.tkz.cz



Catalog sheet

Door hinge 80/10 M8 22/M7

Usage:

For turning connection of wooden door with wooden casing frame. Plastic case on pin and bearing ball ensure easy turning of hinge. Into hinge liner 22/7 DZ.

Basic info:

Catalogue number: 9692

Properties:

Load: 20.00

Fire resistance: no

Main material: steel

Type of hinge: Complete hinge

Door : Interior

Orientation of door (window): For right and left door (frame)

According to door execution: Rebate

According to material of door leaf: Wood

According to doorframe: Wooden casing

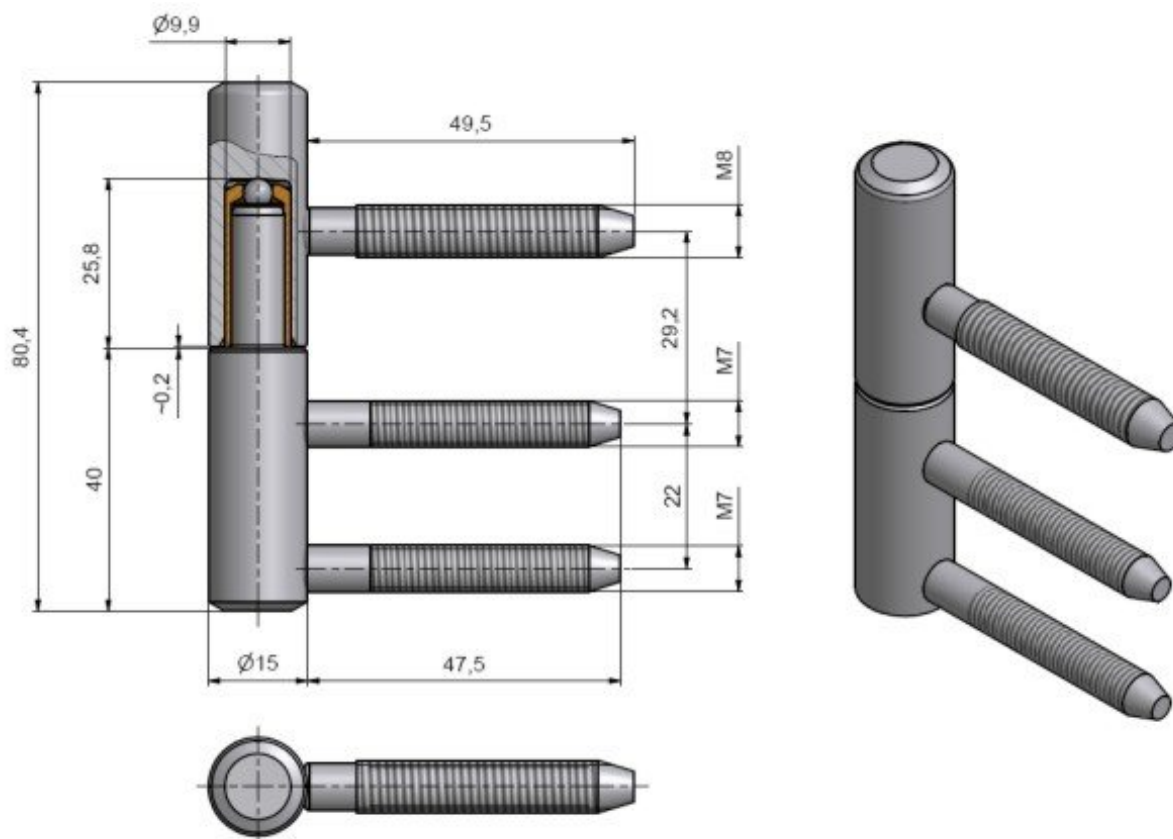
Gripping upper part: Screw in

Gripping lower part: Into fixing element

Diameter of bolt rivet(s): M7 a M8



Plug high: 25,8 mm

Door hinge 80/10 M8 22/M7:



Available variants:

	Code	Type	Package
	96920510	Yellow zinc	100 pcs
	96922400	Old copper	100 pcs
	96922530	cut + blue zinc	100 pcs
	96922800	Brass plated	100 pcs
	96922B90	Old brass	100 pcs
	96923340	Black lacquer RAL 9005	100 pcs

	Code	Type	Package
	96923370	Antic lacquer	100 pcs
	969233C0	White lacquer RAL 9010	100 pcs
	96928700	Nickel	100 pcs
	96928D00	Nickel satin	100 pcs

The owner of this website processes the cookies required for the functionality of the website, analytical purposes and marketing. More information [×](#)