



TKZ Polná, spol. s r.o., Zahradní 572, 588 13 POLNÁ, CZ
ID: 49973819, TID: CZ49973819, e-mail: export@tkz.cz
tel:+420 567 155 271(273), mobile: +420 725 251 002
www.tkz.cz



Catalog sheet

Door hinge 80/10 SD 8x50 TR 11,5 PH

Usage:

To screw the hinge into wooden frame. (upper part can be only 80/10 VD)

Basic info:

Catalogue number: 5452

Properties:

Load: 20.00

Fire resistance: no

Main material: steel

Type of hinge: Lower part

Door : Interior

Orientation of door (window): For right and left door (frame)

According to door execution: Rebate

According to doorframe: Solid wood

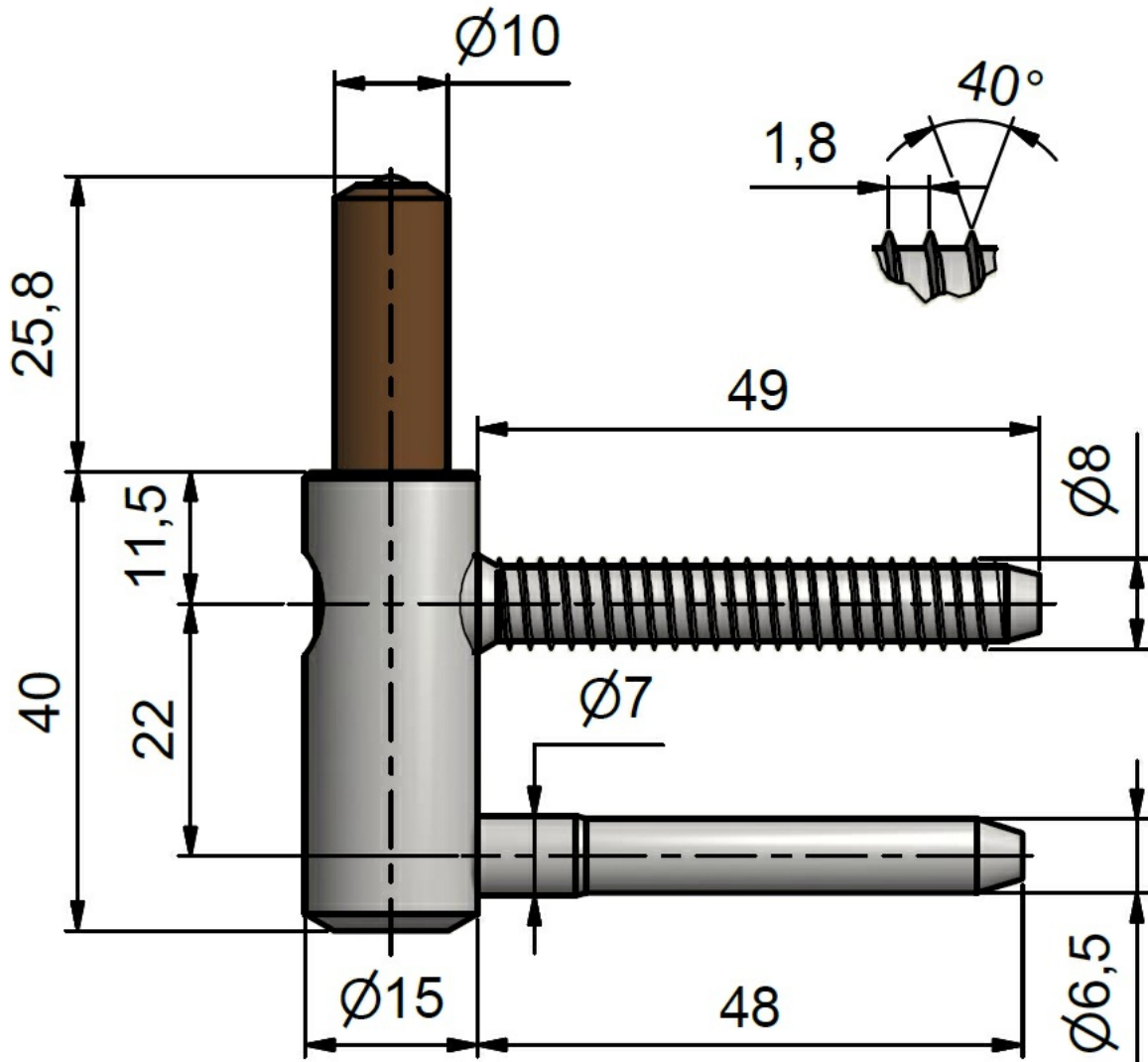
Gripping lower part: Screw in

Diameter of bolt rivet(s): Special screw-thread into wood $\varnothing 8$


Bolt(s) length: 49 mm

Plug high: 25,8 mm

Drawing:



Available variants:

	Code	Type	Package
	54520700	Nickel shiny	50 pcs

The owner of this website processes the cookies required for the functionality of the website, analytical purposes and marketing. More information ✕