



TKZ Polná, spol. s r.o., Zahradní 572, 588 13 POLNÁ, CZ
ID: 49973819, TID: CZ49973819, e-mail: export@tkz.cz
tel:+420 567 155 271(273), mobile: +420 725 251 002
www.tkz.cz



Catalog sheet

Door hinge 80/10 SD 8x50 TR PH

Usage:

To screw the hinge into wooden frame. (upper part can be only 80/10 VD)

Basic info:

Catalogue number: 5450

Properties:

Load: 20.00

Fire resistance: no

Main material: steel

Type of hinge: Lower part

Door : Interior

Orientation of door (window): For right and left door (frame)

According to door execution: Rebate

According to doorframe: Solid wood

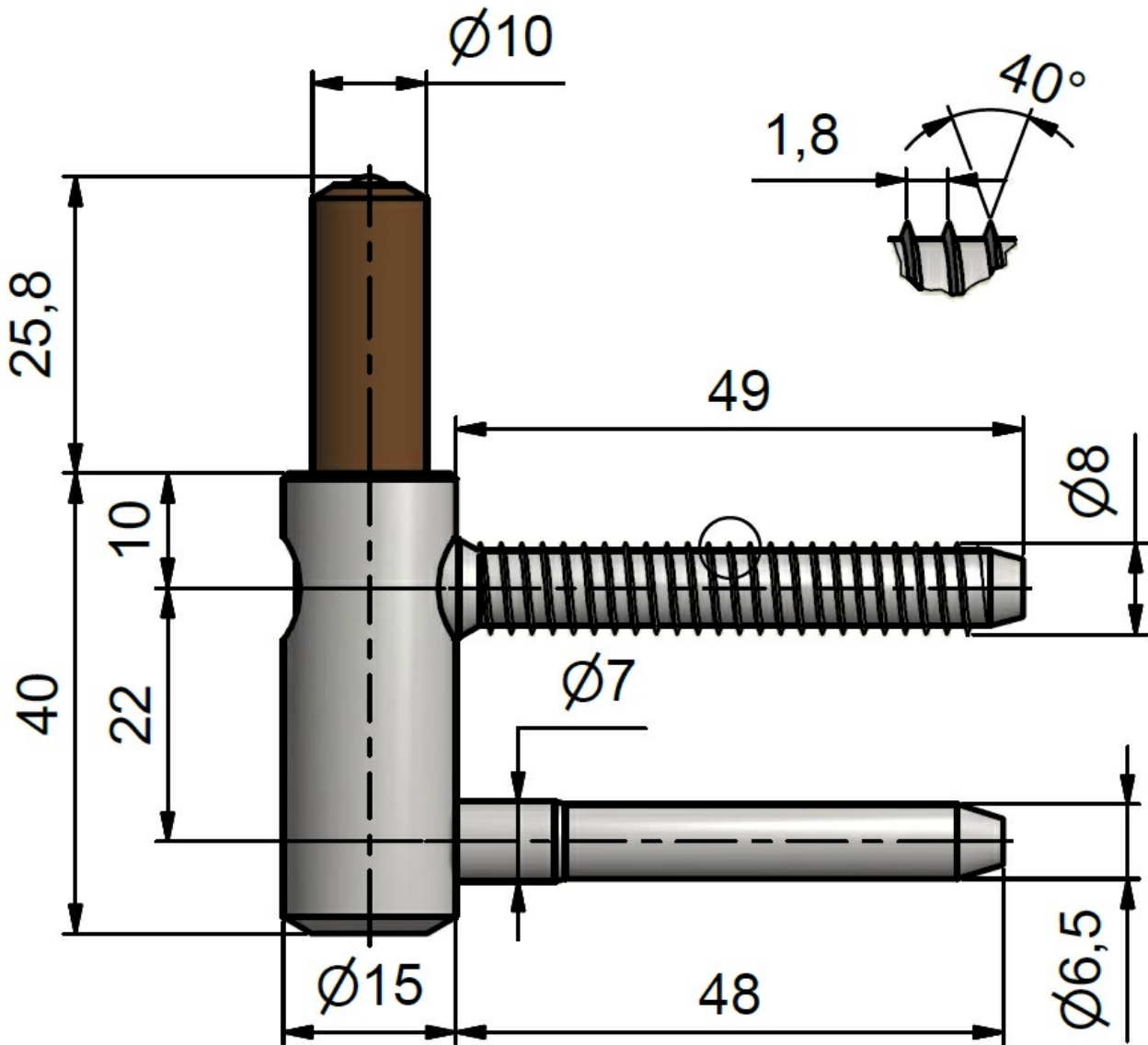
Gripping lower part: Screw in

Diameter of bolt rivet(s): Special screw-thread into wood $\varnothing 8$

Bolt(s) length: 49 mm

Plug high: 25,8 mm

Door hinge 80/10 SD 8x50 TR PH:



Available variants:

	Code	Type	Package
	54505510	Yellow zinc	50 pcs
	54505530	Blue zinc	50 pcs
	54508700	Nickel shiny	50 pcs
	54508D00	Nickel satin	50 pcs

The owner of this website processes the cookies required for the functionality of the website, analytical purposes and marketing. More information ✕